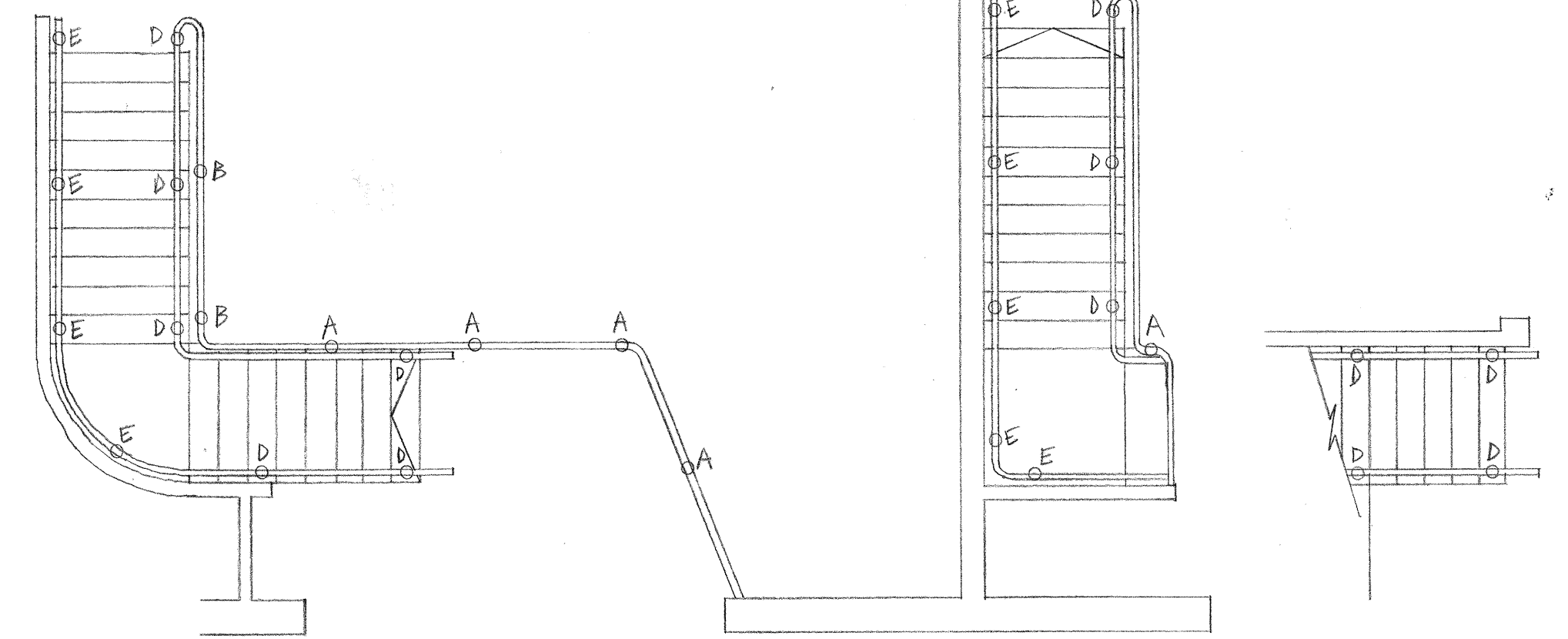


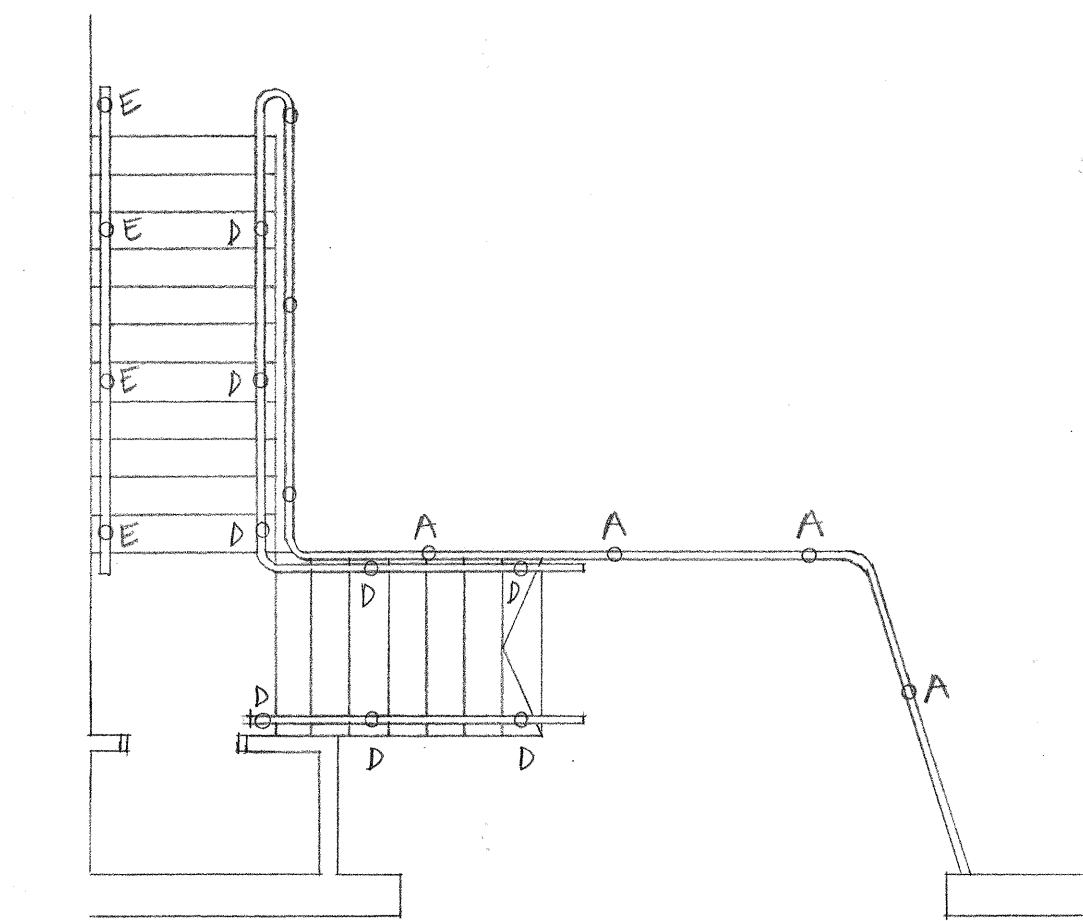
PLAN OF STAIRCASE IN UNITS B, C, D+L  
SCALE 1:20.



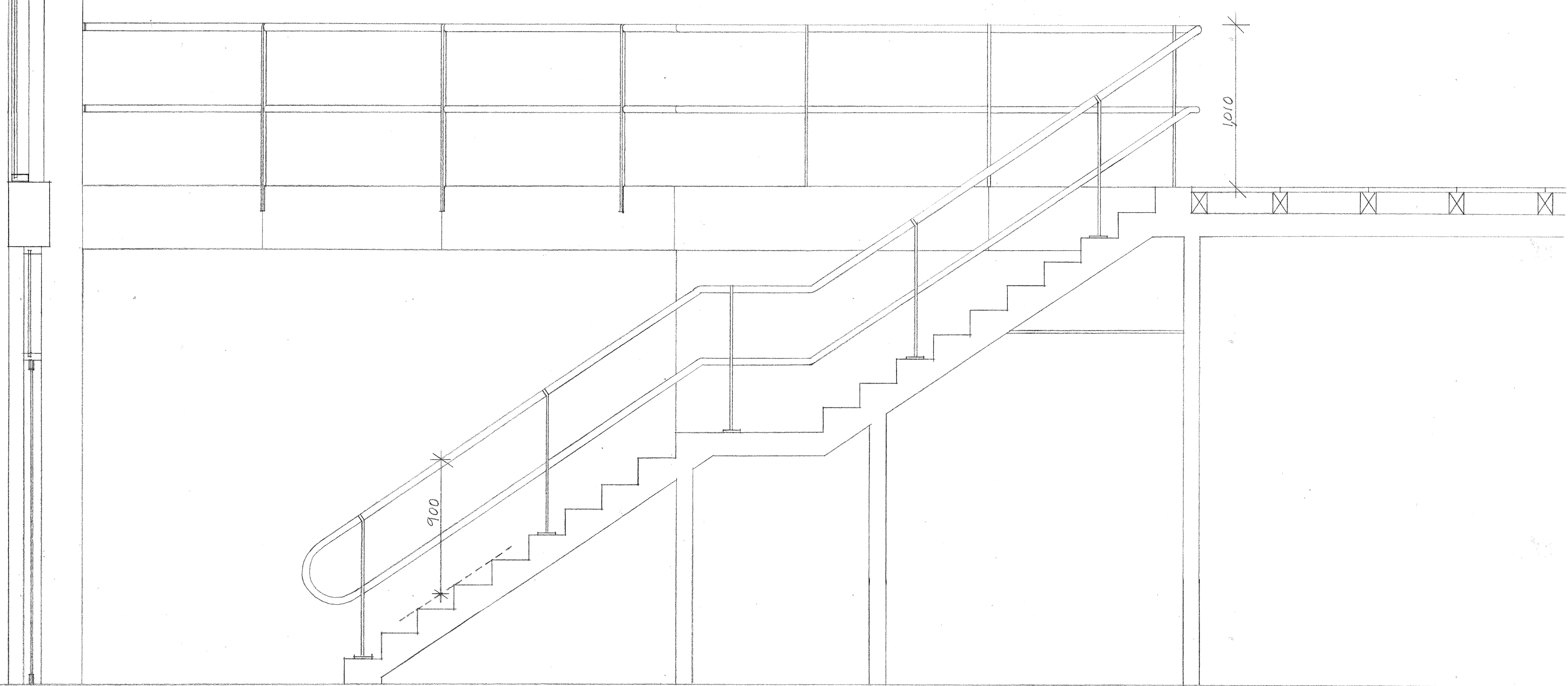
PLAN OF UNITS I+J (HANDED)  
SCALE 1:50

PLAN OF UNITS F, G, H, K  
SCALE 1:50

TO BE READ IN CONJUNCTION WITH DRAWG. 990/49.  
LETTERS INDICATE VARIOUS TYPES OF UPRIGHT/  
BRACKET IN DIFFERENT LOCATIONS.  
ALL HANDRAILS TO BE CAPABLE OF RESISTING  
AT LEAST THE HORIZONTAL FORCE GIVEN IN  
B.S. 6399-PART 1:1966.



PLAN OF UNITS A+E  
SCALE 1:50



SECTION THROUGH STAIRCASE  
IN UNITS B, C, D+L.  
SCALE 1:20.

REVISION	DATE	INITIALS	DETAILS
CLIENT REEDSPACE LTD			
PROJECT EASTERN ROAD, BRACKNELL			
DRAWING HANDRAIL LAYOUTS			
SCALE 1:20+1:50			
DRAWING NO. 9901/48			
DATE 2 FEB 01		DRAWN BY WV	

Do not scale drawing. Dimensions to be verified on site.  
This drawing is the property of Bill Reed Architecture and they reserve the  
copyright. The drawing is issued on the condition that it is not copied,  
reproduced, retained or disclosed to any unauthorised person, either wholly  
or in part, without the consent in writing of Bill Reed Architecture.

**BILL REED ARCHITECTURE**  
44 KINGS TERRACE, LONDON NW1 0JR TELEPHONE 071-387 4521 FAX 071-387 2294